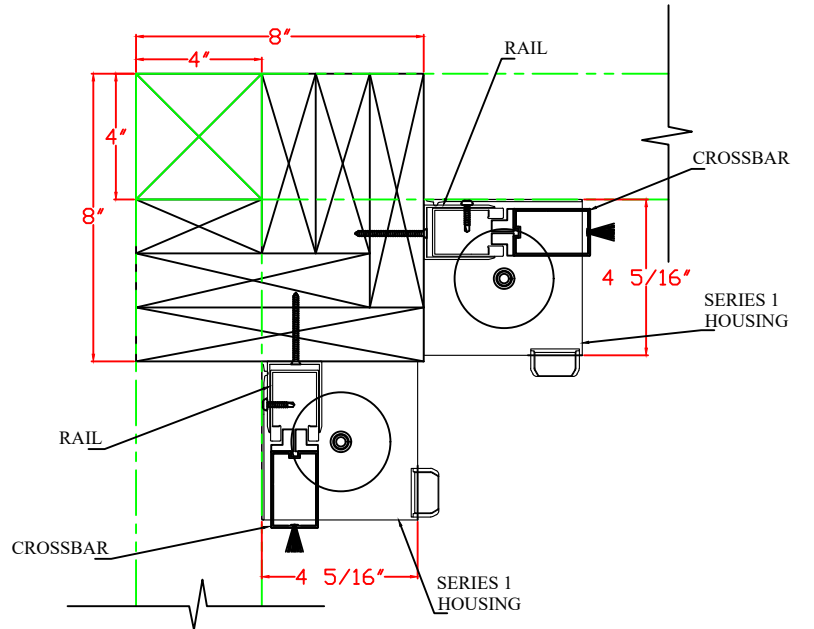


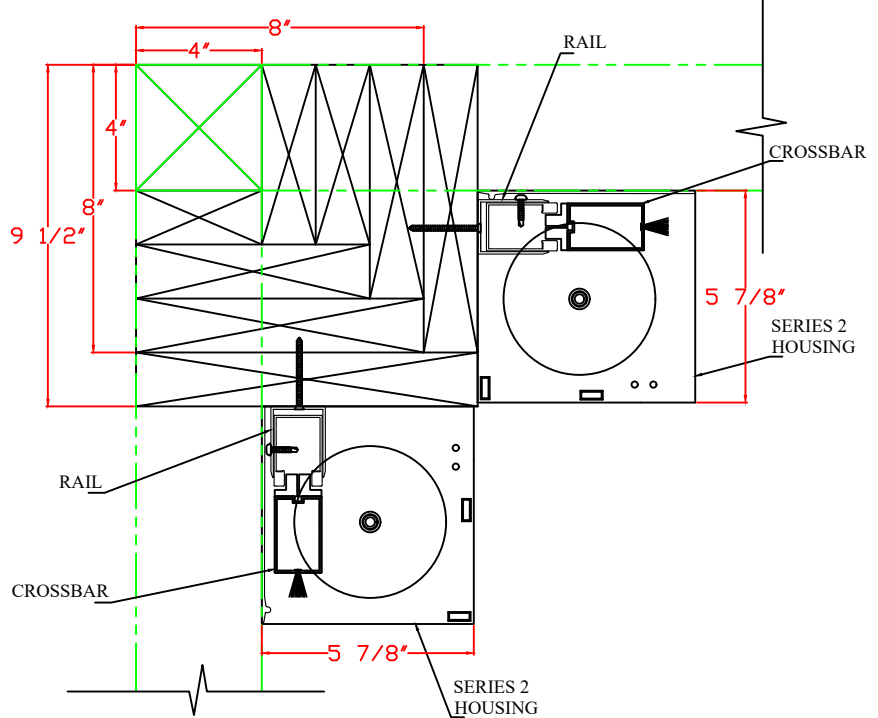
SERIES 1 INSTALL (4-5/16" x 4-5/16") HOUSING



INSIDE ABOVE HEADER MOUNT

This is to show the amount of space needed to build the corner post out to make room for the screen housing on an inside corner.

SERIES 2 INSTALL (5-7/8" x 5-7/8") HOUSING



SERIES 3 INSTALL (7-13/16" x 7-13/16") HOUSING

